

## DESCRIPTION

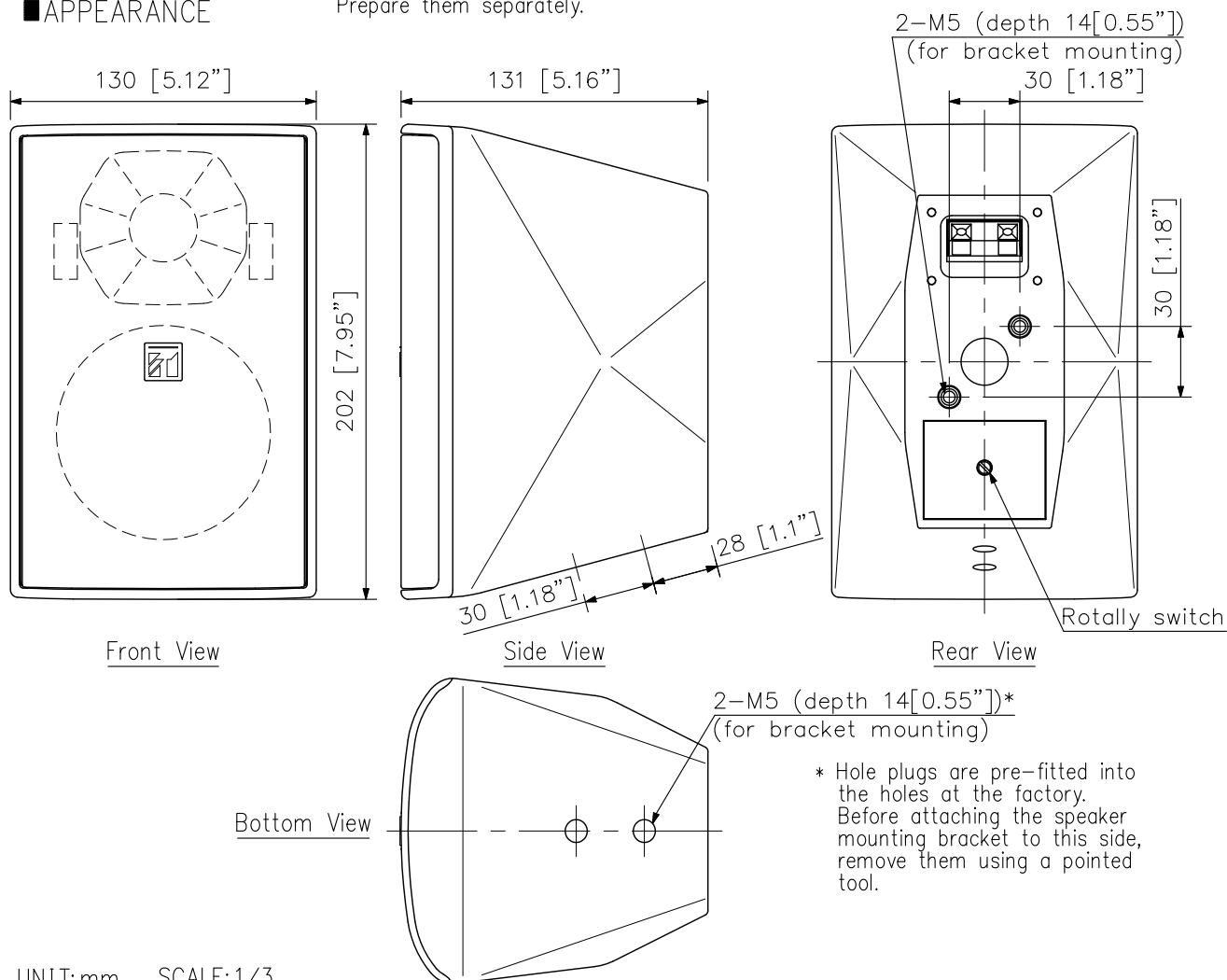
The F-1000 Series Speaker are compact two-way speaker systems designed for high efficiency, wide range, and high power input handling capability. These speaker systems can be installed in a manner ideal for the location and intended application.

## SPECIFICATIONS

|                         |  |
|-------------------------|--|
| Enclosure               | Bass-reflex type   |
| Rated Input             | 15 W (high impedance)  |
| Power Handling Capacity | Continuos pink noise: 30 W (low impedance)<br>Continuos program: 90 W (low impedance)  |
| Rated Impedance         | 8 Ω<br>100 V line: 670 Ω (15 W), 2 kΩ (5 W), 3.3 kΩ (3 W), 10 kΩ (1 W)<br>70 V line: 330 Ω (15 W), 670 Ω (7.5 W), 2 kΩ (2.5 W), 3.3 kΩ (1.5 W), 10 kΩ (0.5 W)  |
| Sensitivity             | 87 dB (1 W, 1 m) at installation in 1/2 free sound field   |
| Frequency Response      | 85 Hz - 20 kHz, -10 dB at installation in 1/2 free sound field   |
| Crossover Frequency     | 5 kHz  |
| Directivity Angle       | Horizontal: 90°, Vertical: 90°   |
| Speaker Component       | Low frequency: 10 cm (4") cone-type<br>High frequency: Balanced dome tweeter   |
| Input Terminal          | Push-in terminal   |
| Finish                  | Enclosure: HIPS, black<br>Punched net: Surface-treated steel plate, black, paint<br>Joint bracket, wall bracket: Steel plate, t1.6, black, paint<br>Speaker bracket: Die-cast aluminum, black, paint |
| Dimensions              | 130 (W) × 202 (H) × 131 (D) mm (5.12" × 7.95" × 5.16")   |
| Weight                  | 2 kg (4.41 lb) (including the supplied brackets)   |
| Accessory               | Speaker bracket...1, Joint bracket...1, Wall bracket...1, Bracket fixing screw...1 set   |
| Option                  | Board hanger bracket: HY-BH10B,<br>Ceiling mount bracket: HY-CM10B (used for the horizontal speaker mounting),<br>Cluster bracket: HY-CL10B, Speaker stand: ST-16A                                   |

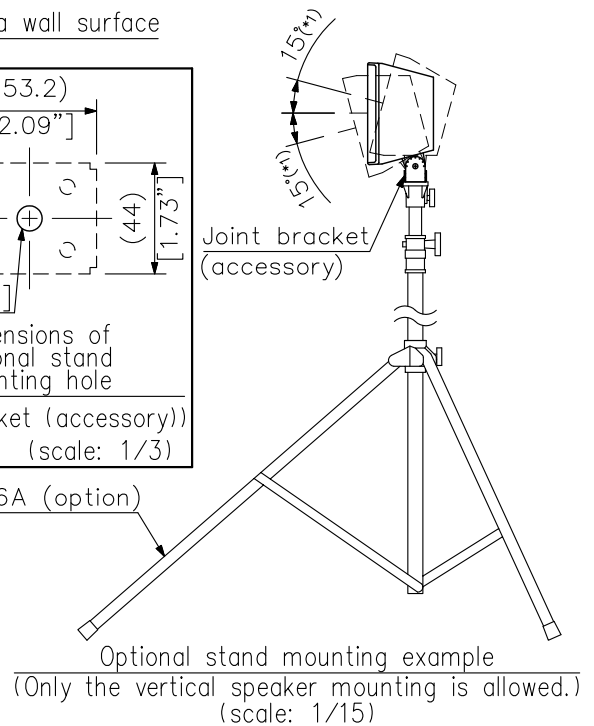
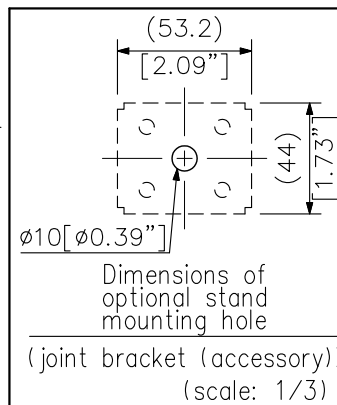
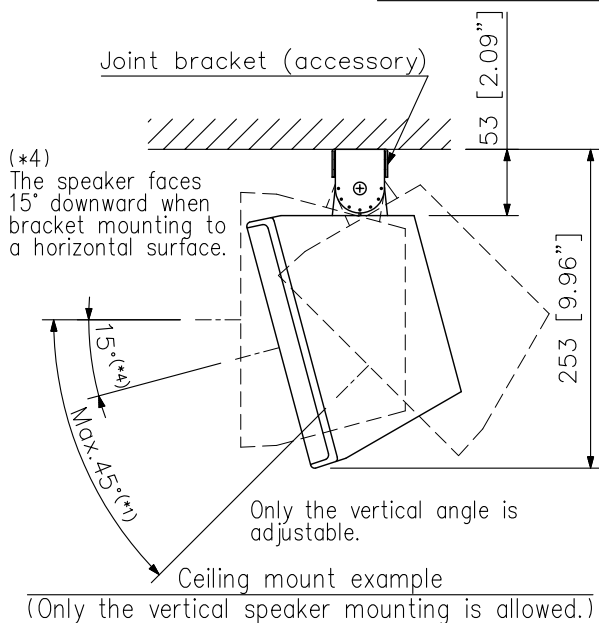
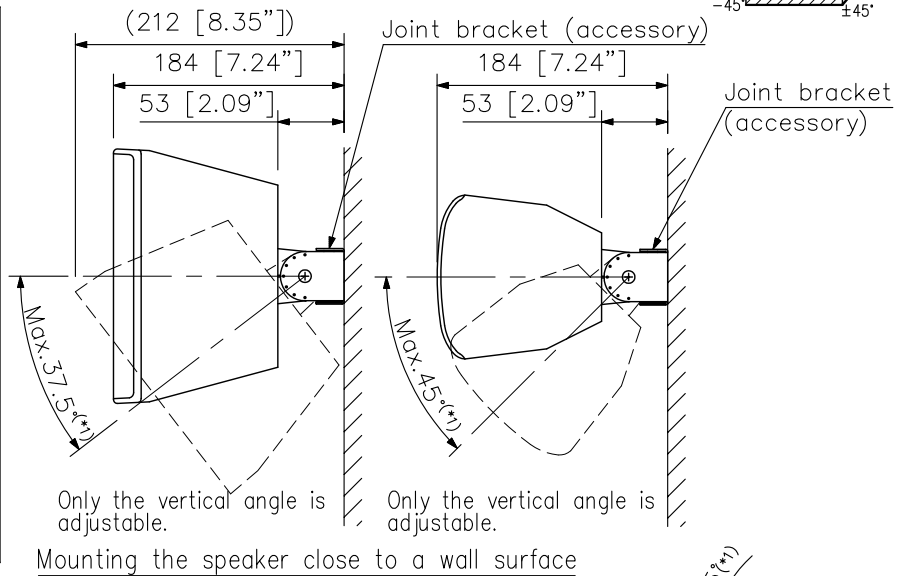
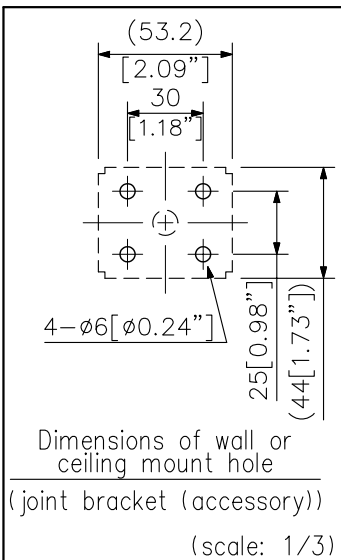
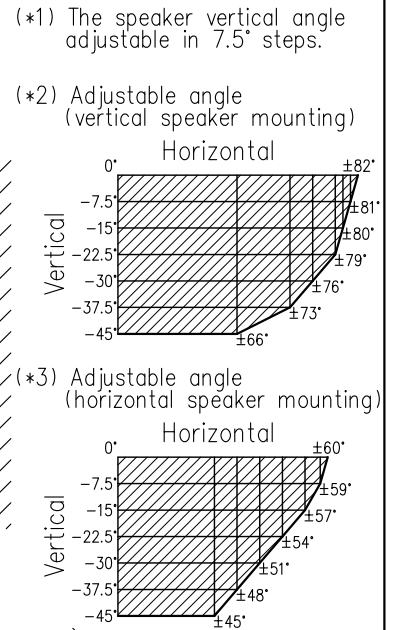
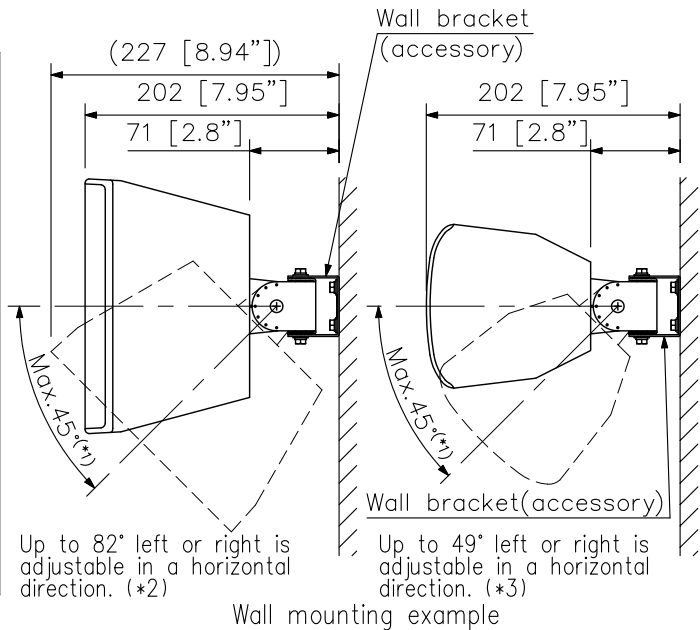
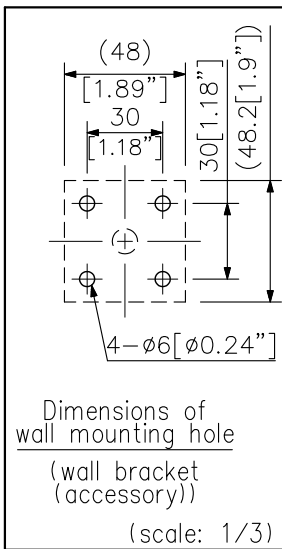
Note: Bolts and nuts for mounting the bracket to the wall or ceiling are not included. Prepare them separately.

## APPEARANCE



UNIT:mm SCALE:1/3

**■ APPEARANCE**



UNIT:mm SCALE:1/6